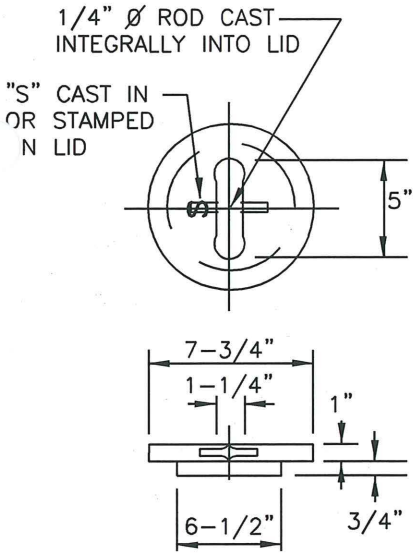
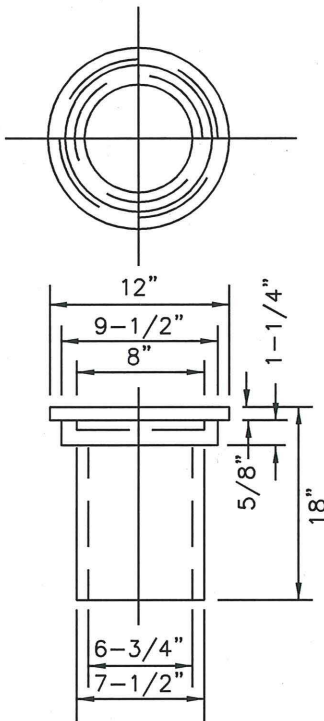


N:\CAD Data\Standard Dwgs\Sanitary Sewer Details\SS-2.7_Cleanout.dwg, 3/28/2007 2:39:28 PM

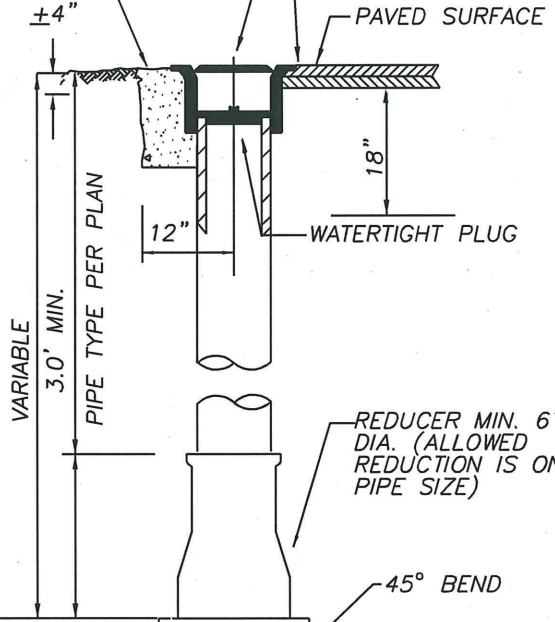


COVER



CAST IRON VALVE BOX AND COVER NO. 910

CONCRETE ANCHOR REQUIRED ON UNIMPROVED SURFACE
 CAST IRON VALVE BOX & COVER
 MATCH A.C. OR P.C.C. DEPTH (3" MIN.)
 PAVED SURFACE



MATERIAL TO BE GREY CAST IRON CONFORMING TO ASTM A-46 CLASS 30

NOTE: TOLERANCE = 1/8"

NOTE: CLEANOUT TO BE 8" Ø

45° BEND

45° BEND

UNDISTURBED NATIVE MATERIAL

3000 PSI CONCRETE, 2-4 INCH SLUMP
 PIPE TO BE CONCRETE ENCASED ALL AROUND

4" MIN.

SEWER CLEANOUT

VALVE BOX SHALL BE FORT VANCOUVER
 PATTERN NO. 910 CAST IRON OR APPROVED EQUAL

STANDARD SEWER CLEANOUT

PLAN #



CITY OF BATTLE GROUND APPROVED

John Adams 3-29-07
 CITY ENGINEER DATE

REVISIONS:	DATE:	DRAWN:	DESIGNED:
1	8/12/98	BSG	GGH
2	8/30/05	ALL	MCH
3	3/28/07	JMH	MCH

SS-2.7