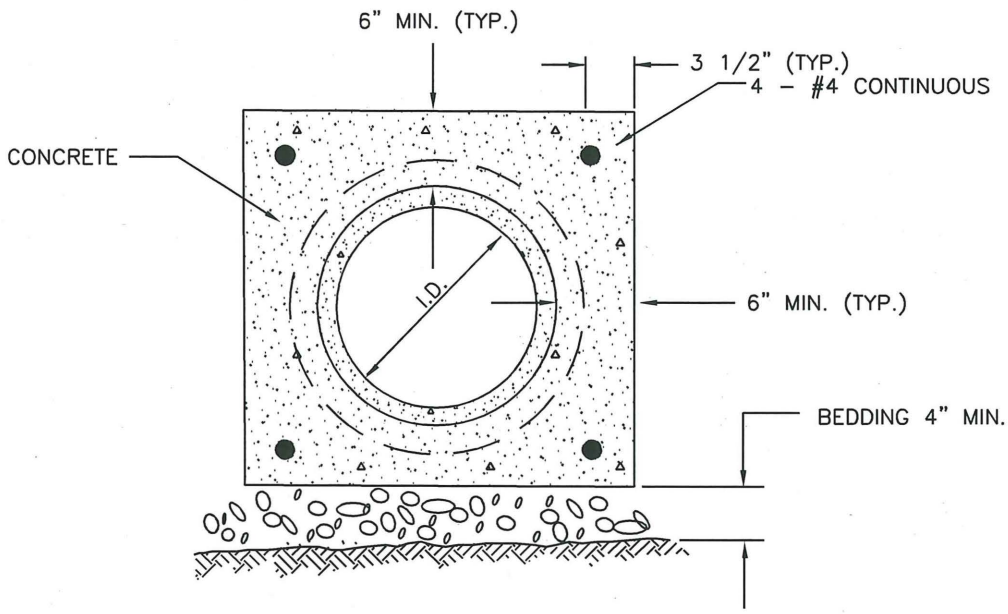
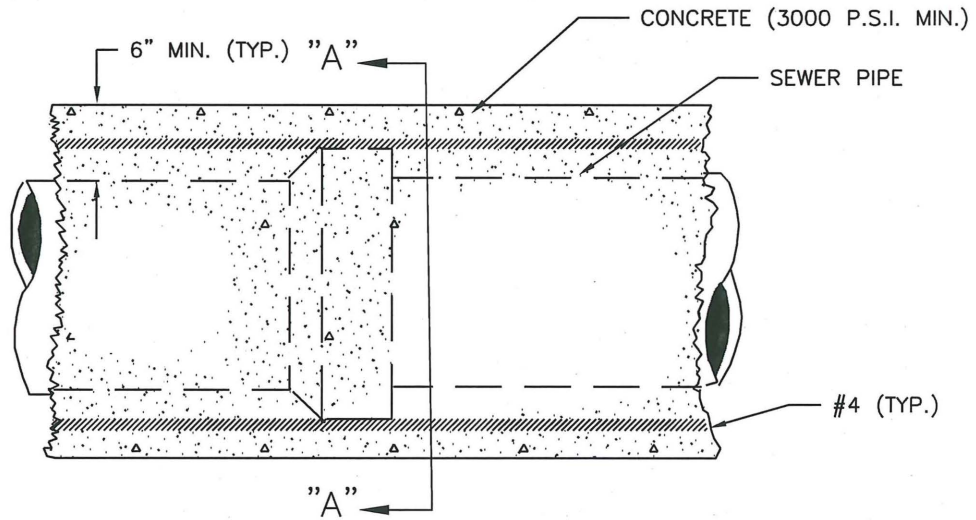


N:\CAD Data\Standard Dwg\Sanitary Sewer Details\SS-4.3_ConcEncasedPipe.dwg, 2/28/2007 2:07:34 PM



VIEW "A-A"



PLAN

NOTES:

1. CONCRETE TO EXTEND 10' ON BOTH SIDES OF WATER CROSSING.
2. MUST BE USED WHERE THERE IS LESS THAN 18" OF CLEARANCE BETWEEN WATERLINE AND SEWER LINE.

CONCRETE ENCASED SEWER PIPE

PLAN #



CITY OF BATTLE GROUND
APPROVED

[Signature]
CITY ENGINEER

3-28-07
DATE

REVISIONS:	DATE:	DRAWN:	DESIGNED:
1	8/12/98	BSG	GGH
2	8/30/05	ALL	MCH
3	3/28/07	JMH	MCH

SS-4.3