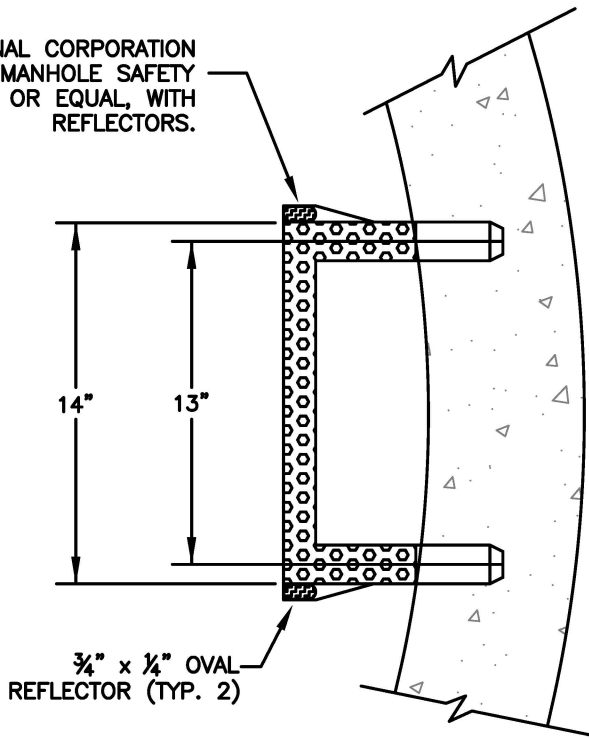


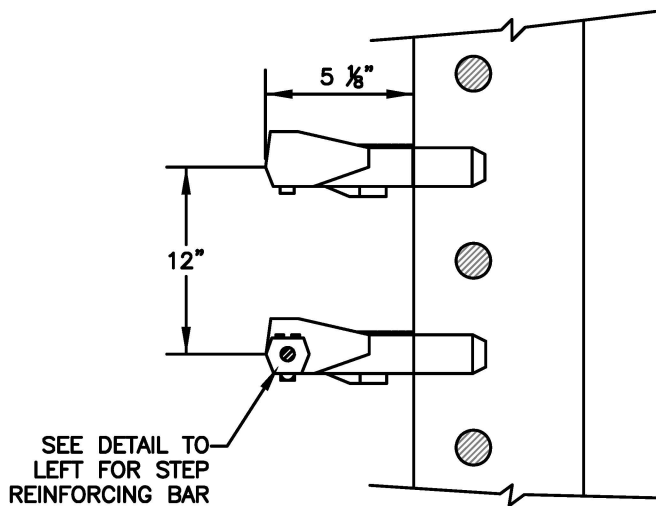
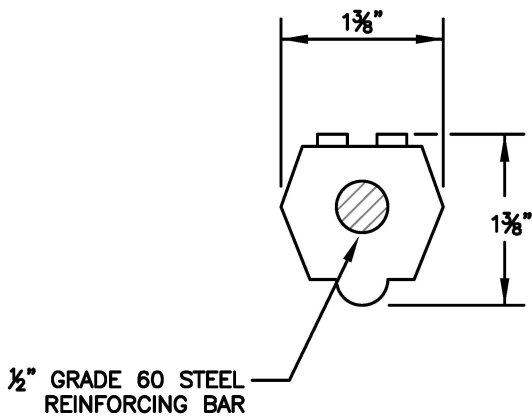
LANE INTERNATIONAL CORPORATION
 POLYPROPYLENE MANHOLE SAFETY
 STEP P-14850, OR EQUAL, WITH
 REFLECTORS.

NOTES:

1. ALL STEPS MUST MEET ASTM C-478 AND AASHTO M-199 SPECIFICATIONS, POLYPROPYLENE ASTM D4104-08, THE 1/2" GRADE 60 DEFORMED REINFORCING BAR ASTM A-615.
2. INSTALLATION METHOD MUST RESIST 1,500 LB. HORIZONTAL PULL OUT FORCE AND 500 LB. VERTICAL LOAD



PLAN



ELEVATION

N.T.S.

MANHOLE STEP

STANDARD
 DETAIL



CITY OF BATTLE GROUND
 APPROVED

Mark Heneg

06/11/2018

CITY ENGINEER

DATE

REVISIONS:	DATE:	DRAWN:	DESIGNED:
1	8/12/98	BSG	GGH
2	8/30/05	ALL	MCH
3	3/28/07	JMH	MCH
4	7/22/09	RMJ	RMJ
5	3/28/17	CAS	KDU

ST-2.05