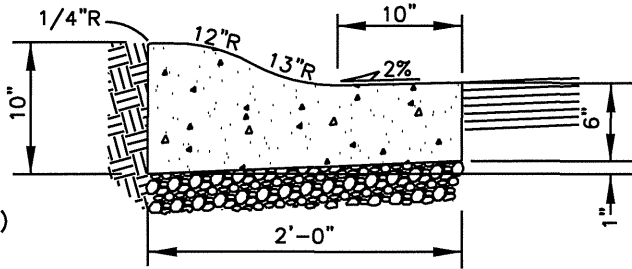


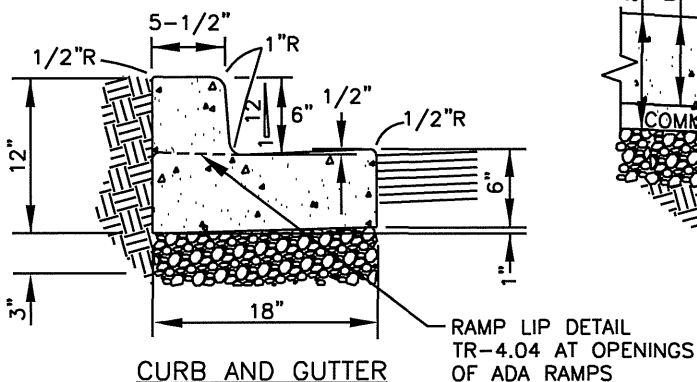
VERTICAL CURB

USE OF VERTICAL CURB IS PERMITTED FOR MEDIANS AND APPLICABLE TRAFFIC CALMING DEVICES.

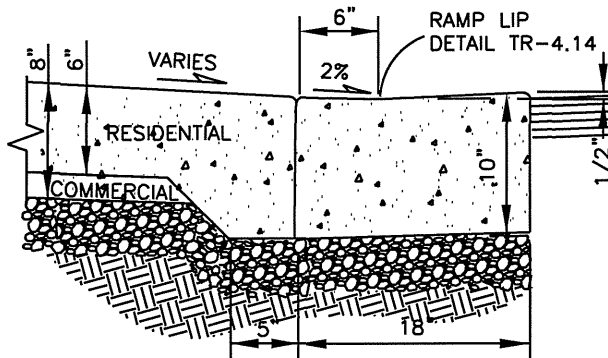


ROLLED CURB AND GUTTER

USE OF ROLLED CURB AND GUTTER IS PERMITTED FOR CUL-DE-SACS, PRIVATE STREETS, AND ALLEYS.



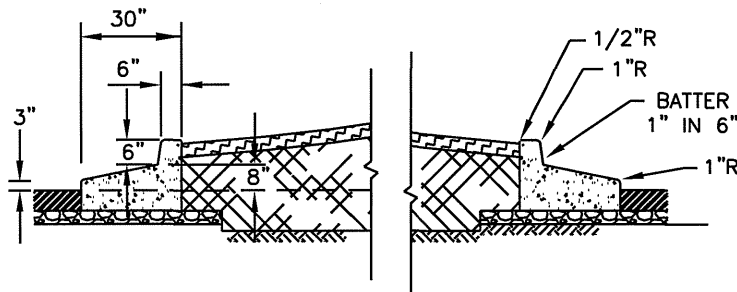
CURB AND GUTTER



CURB AND GUTTER AT DRIVEWAY DROP

NOTES:

1. CONCRETE SHALL BE 3000 PSI MIN. MEETING WSDOT STANDARD SPECIFICATIONS 6-02.3(2)B.
2. CURBS ADJACENT TO PAVEMENT OR SIDEWALK SHALL HAVE EXPANSION AND/OR CONSTRUCTION JOINTS TO MATCH EXISTING PATTERNS. 3/8" EXPANSION JOINTS SHALL BE PLACED ON BOTH SIDES OF CATCH BASINS, AT TOPS OF DRIVEWAYS, ALL CHANGES IN DIRECTION, AND AS DIRECTED BY THE INSPECTOR.
3. FOR CURB DROPS AT ADA RAMP, SEE RAMP LIP DETAIL TR-4.04.
4. COMPACT SUBGRADE AND AGGREGATE TO 95% MAXIMUM DRY DENSITY (ROAD SECTION).
5. SEE PAVEMENT RESTORATION AT CURBS DETAIL TR-5.00.
6. CURB TO BE MEDIUM BROOM FINISHED, PARALLEL TO GUTTER LINE.
7. WHERE MATCHING EXISTING CURBS, ALL EXISTING EDGES SHALL BE SAWCUT.
8. WHEN ATTACHED SIDEWALKS ARE USED WITH ROLLED CURB AND GUTTER, THICKENED SIDEWALKS (6" MIN.) SHALL BE CONSTRUCTED UNDER THE SAME CONSTRUCTION CONTRACT.



TRAFFIC CIRCLE/ROUNDBOUT CURB

N.T.S.

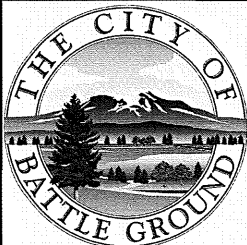
CONCRETE CURBS

PLAN #

CITY OF BATTLE GROUND APPROVED

REVISIONS:	DATE:	DRAWN:	DESIGNED:
1	1/31/08	JMH	MCH
2	6/3/08	JMH	MCH

TR-3.00



Rb
CITY ENGINEER
6/3/08
DATE