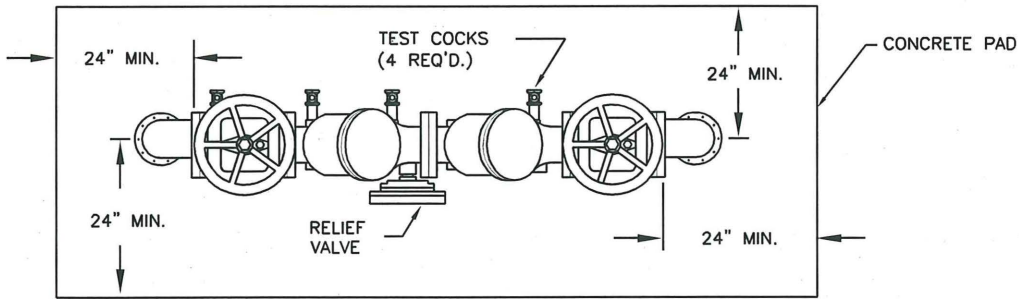
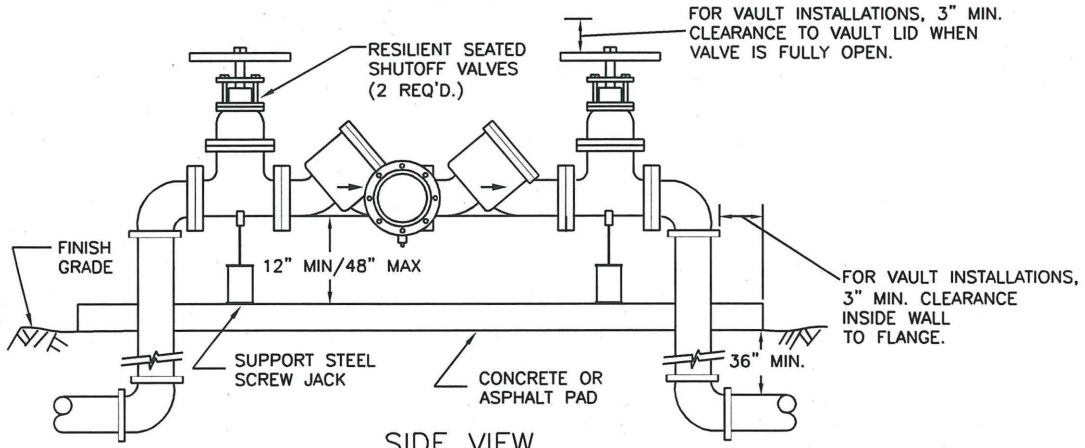


N:\CAD Data\Standard Dwgs\Water Details\WA-5.4\_Standard RPBA 2.5in larger.dwg 4/10/2007 9:18:40 AM



TOP VIEW



SIDE VIEW

**NOTE:**  
A CITY APPROVED VALVE IS REQ'D.  
BETWEEN THE SUPPLY MAIN AND  
THE R.P.B.A.

**NOTE:**  
PROVIDE HEAT  
AND/OR INSULATION

**NOTES:**

1. APPROVED REDUCED PRESSURE BACKFLOW ASSEMBLY (RPBA) TO LAY HORIZONTAL ONLY. (VERTICAL IF APPROVED BY DEPT. OF HEALTH)
2. DESIGNED FOR BACK SIPHONAGE AND BACK PRESSURE.
3. THE WATER LINE SHALL BE DISINFECTED, FLUSHED AND PRESSURE TESTED PRIOR TO INSTALLING THE RPBA. THE RPBA SHALL BE PROTECTED FROM FREEZING AND FLOODING.
4. ALL PIPE, VALVES AND FITTING JOINTS FROM SUPPLY MAIN, SHALL BE FLANGED AND RESTRAINED.
5. GROUT PIPE ENTRANCE AND EXIT IN VAULT, WITH WATERTIGHT GROUT.
6. ALL ENCLOSURES SHALL BE PRE-APPROVED PRIOR TO INSTALLATION.
7. RPBA SHALL BE INSTALLED AT PROPERTY LINE OR EASEMENT LINE AND ON OWNER'S PROPERTY.
8. ADEQUATE GRAVITY DRAINAGE SYSTEM REQUIRED WITH APPROVED AIR GAP.
9. MINIMUM 24" CLEARANCE ON ALL SIDES AROUND RPBA.
10. THE RPBA SHALL BE TESTED AFTER INSTALLATION AND PRIOR TO ACCEPTANCE, ALSO YEARLY THEREAFTER BY A CERTIFIED BACKFLOW ASSEMBLY TESTER. TEST RESULTS SHALL BE SENT TO THE CITY OF BATTLE GROUND PUBLIC WORKS DEPARTMENT.
11. HEAT AND/OR INSULATION SHALL BE PROVIDED TO PREVENT FREEZING

(ABOVE GROUND INSTALLATIONS ONLY)

STANDARD REDUCED PRESSURE BACKFLOW  
ASSEMBLY 2 1/2" & LARGER

PLAN #



CITY OF BATTLE GROUND  
APPROVED

CITY ENGINEER

DATE

*[Handwritten Signature]* 4/16/07

REVISIONS:	DATE:	DRAWN:	DESIGNED:
1	4/16/07	JMH	MCH

WA-5.4