

Note: referenced standards are per ANSI A117.1-2003 unless otherwise noted

Table 606.7  
Maximum Reach Depth and Height

Max. reach depth	3"	4"	5"	6"	9"	11"
Max. reach height	48"	46"	42"	40"	36"	34"

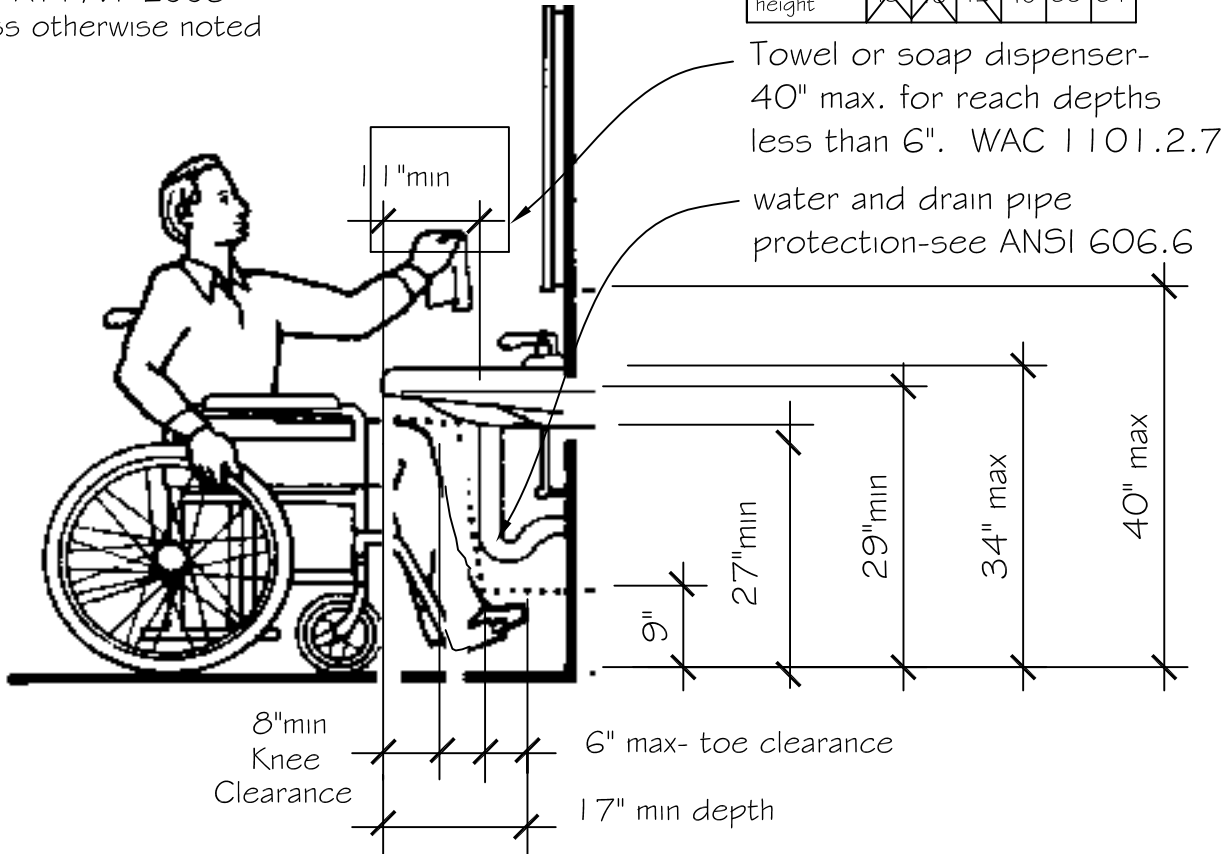


Figure 1 Lavatory Clearances

ANSI 606 and 306.3

- Manually operated control switches shall comply with Section 309, except they shall be 32" min. and 40" max. above the floor. The clear floor space adjacent to the control switch shall be located beyond the arc of the door swing and centered on the control switch. See WAC 51-50 1101.2.10.
- The following knee clearances are required underneath the lavatory: 27" from the floor to the underside of the lavatory which extends 8" minimum measured from the front edge underneath the lavatory back towards the wall; if a minimum 9" of toe clearance is provided, a maximum of 6" for the 48" of clear floor space required at the fixture may extend into the toe space-sec.306. Water & soap flow shall be provided, max. 11" reach depth.
- Pipe protection per ANSI 606.6
- Faucets shall comply with Section 308 and reach ranges per 309.
- Floor surfaces shall be stable, firm and slip resistant. Ansı 302.1
- Hand-operated metering faucets shall remain open for 10 seconds minimum- See ANSI 606.4.